



MANUAL PRO-TENT MODUL 4000 PRO-TENT 5000

Pro-Tent MODUL 4000 1,5 x 1,5 / 2 x 2 / 3 x 1,5 / 3 x 2 / 4 x 2 / 3 x 3 / 4,5 x 3 / 6 x 3 m
Pro-Tent 5000 3 x 3 / 4,5 x 3 / 6 x 3 m

AREAS OF APPLICATION

Important points to note

- Pro-Tent tent systems have been designed for temporary outdoor use to provide protection from sun and rain.
- **Do not use Pro-Tent tent systems in extreme weather such as storms, snowfall or hail.**

In windy conditions, the Pro-Tent tent systems must be secured using the included tensioning kit and/or original Pro-Tent weight plates. For further information see pages 15/16.

- Bear in mind that the colouring of the synthetic fabric may fade over time as a result of UV radiation.
- Never fold up the fabric roof when it is damp. It is best to lay it loosely over the frame in a dry room.
- Pro-Tent tent systems have been released for delivery by our quality assurance department and marked "flawless in workmanship and function". If you still have reason to complain about this product, please contact your local sales office immediately.

Product warranty

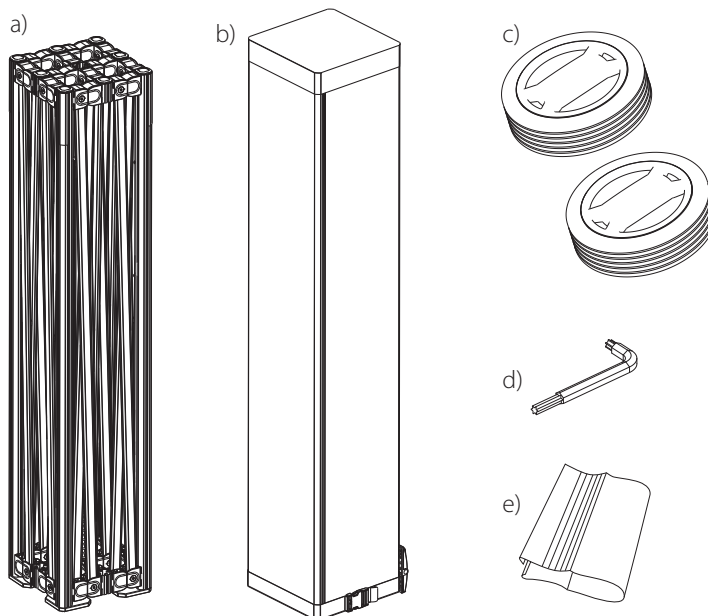
We grant a 5-year warranty, starting from the day of sale for the folding construction of the Pro-Tent tent systems. During this time, our warranty covers the following (upon presentation of the purchase receipt):

- The free replacement of defective parts due to quality defects on the part of the manufacturer, including labour

Further claims within warranty processing with the Pro-Tent tent systems cannot be asserted. Defects that occur as a result of not complying with these instructions are excluded from the warranty in all cases.

SCOPE OF DELIVERY

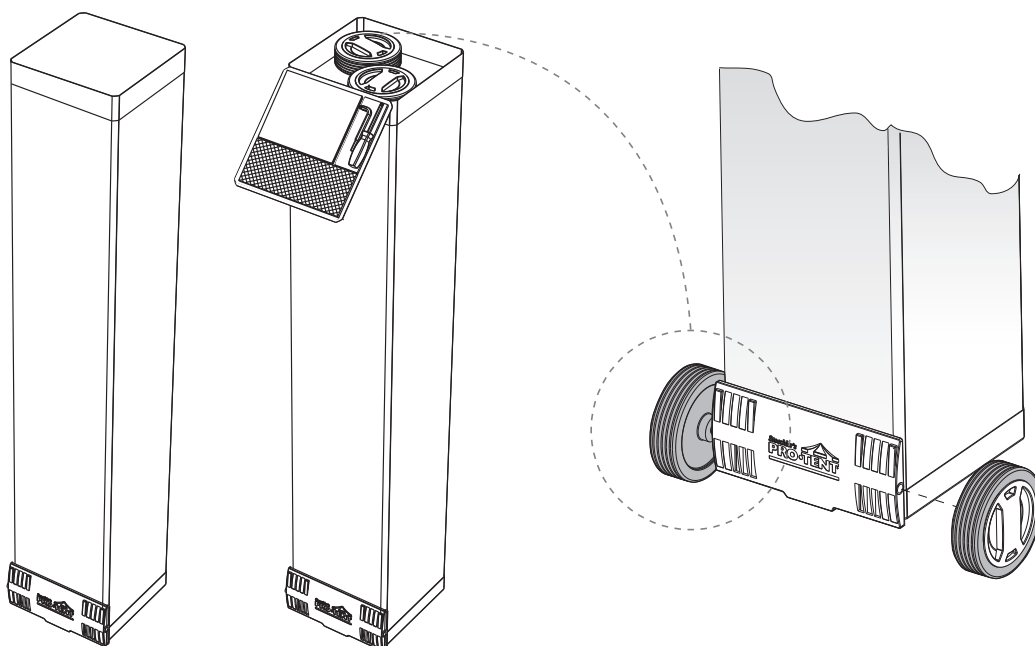
- a) 1 aluminium frame
- b) 1 carrier bag
- c) 2 wheels for mounting on the bag
- d) 1 Torx key
- e) 1 adapter bar pliers
- f) 1 assembly instructions
- g) 1 tensioning set (Pro-Tent MODUL 4000)
or 1 professional set (Pro-Tent 5000)



WHEEL ASSEMBLY

Remove the wheels from the storage compartment.

Screw the wheels into the angle plate on both sides as far as they will go in the thread.



Video transport bag

ASSEMBLY

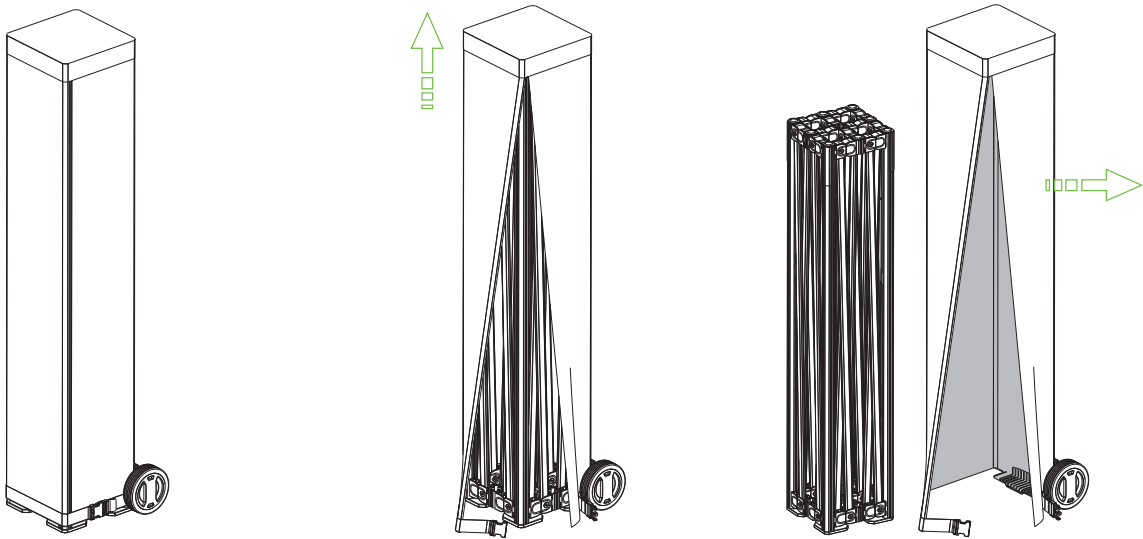
The Pro-Tent folding tent can be assembled comfortably by two people. Many steps should be carried out at the same time. This generally applies to the entire assembly and dismantling process.

Step 1:

Open the buckle at the bottom of the bag.

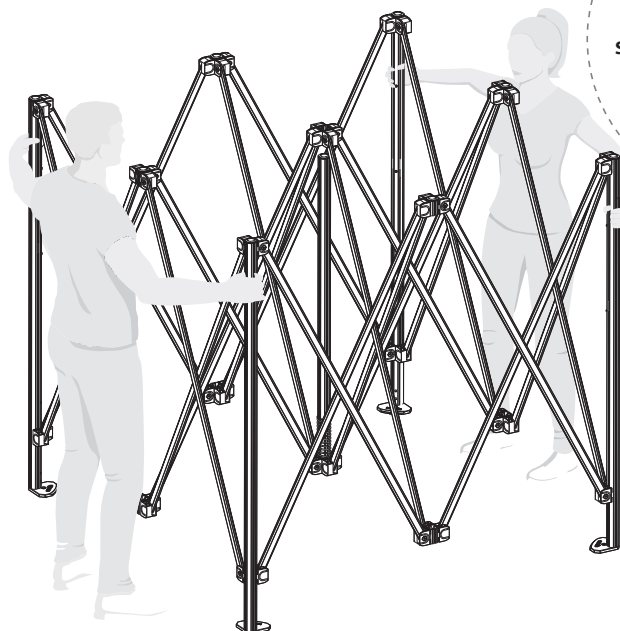
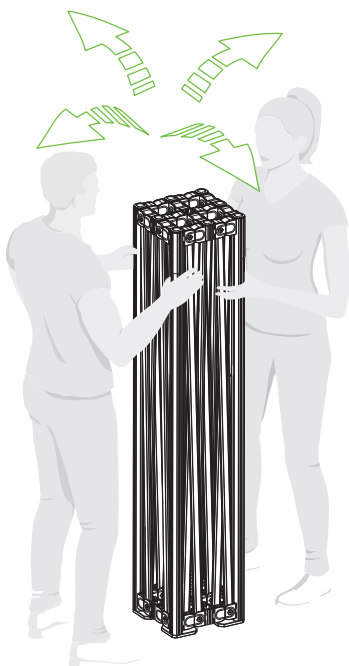
Open the zip of the transport bag, which is now accessible, as far as it will go. Use your foot to push the wheels and the angle plate mounted on them away from the frame.

Remove the bag from the side of the frame and store it safely until you need it again.



Grasp the frame on the outer profiles. Lift the frame slightly. Open the frame

by stepping backwards and spreading your arms at the same time.



TIP
It is best to always grasp the frame on the shorter side of the tent - i.e. on the 3m side of a 6 x 3m tent.

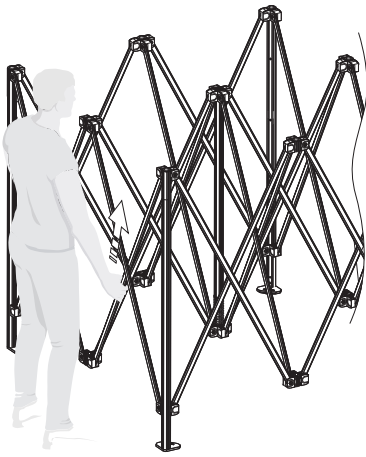


Assembly video

ASSEMBLY

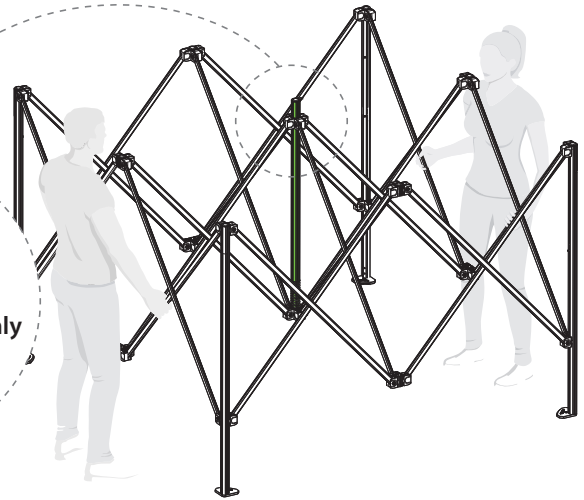
Step 2:

Hold the frame **below** the middle pivot point by the cross struts. This is the optimal handling position for opening the frame. Lift the frame slightly and open it by stepping back only so far that the gable pole extends about 10 cm.



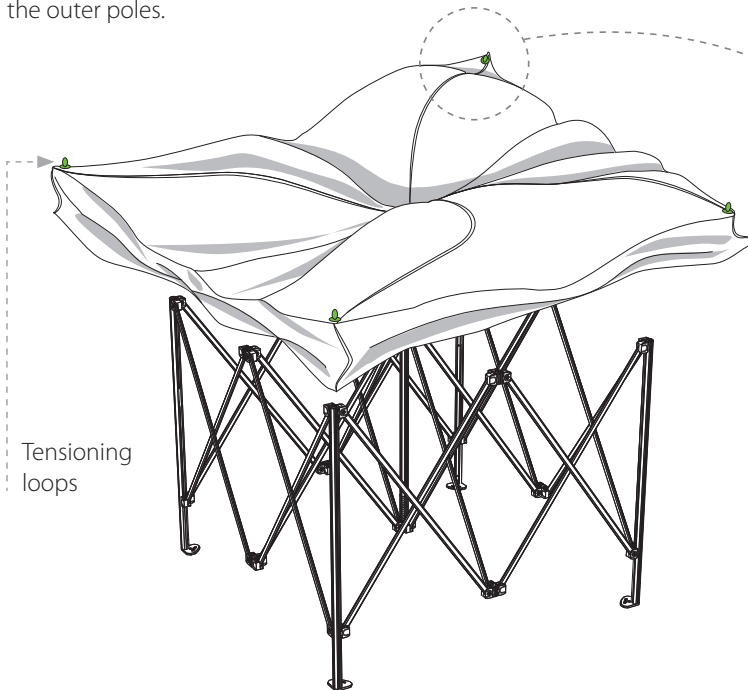
TIP

When positioning the fabric roof, the gable pole should only be extended by about 10 cm.



Step 3:

Throw over and fix the four corners of the fabric roof to the outer poles.



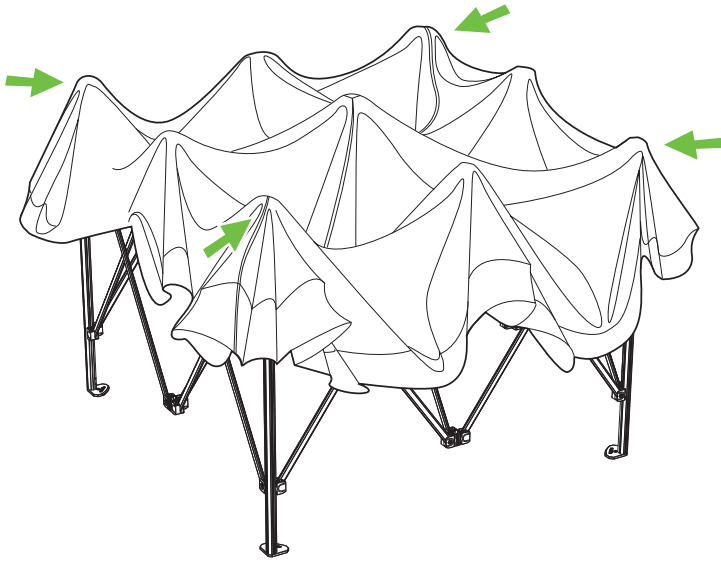
TIP

The corners of the fabric roof are easily recognisable by the sewn-on tensioning loops. After the first assembly, the roof can remain in place. However, never store the tent in the transport bag when it is damp.

ASSEMBLY

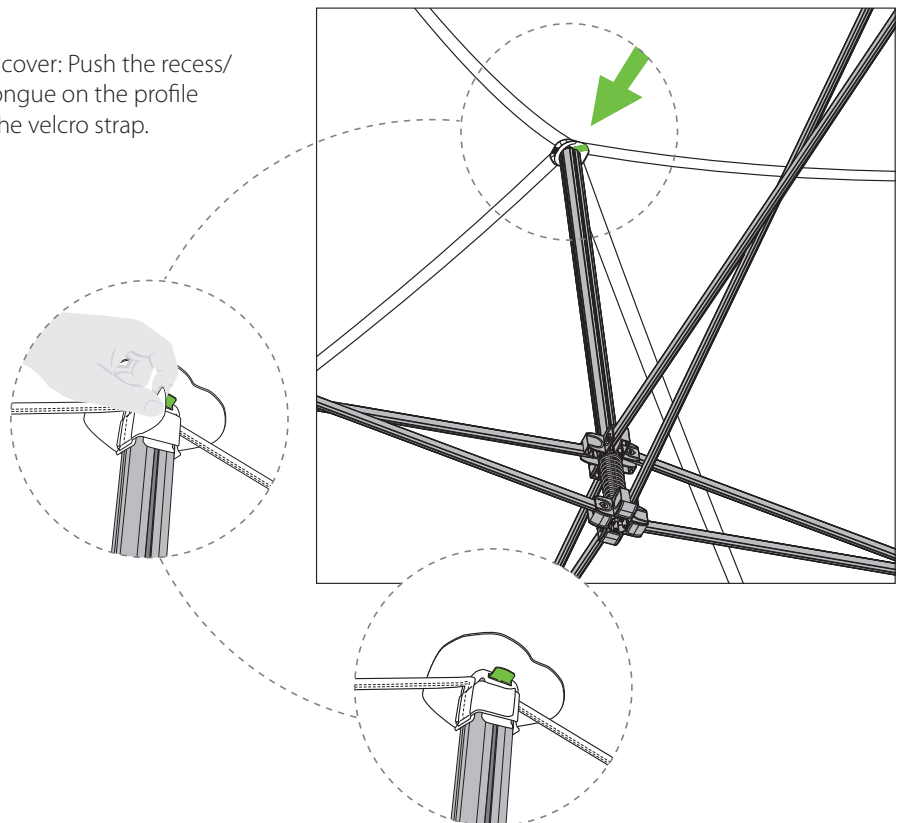
Step 4:

Fasten the velcro straps on the inside of the roof corners tightly underneath the plastic connector around the pole. Make sure that the reinforcement flap is placed symmetrically and without creases around the pole beforehand.



Step 5:

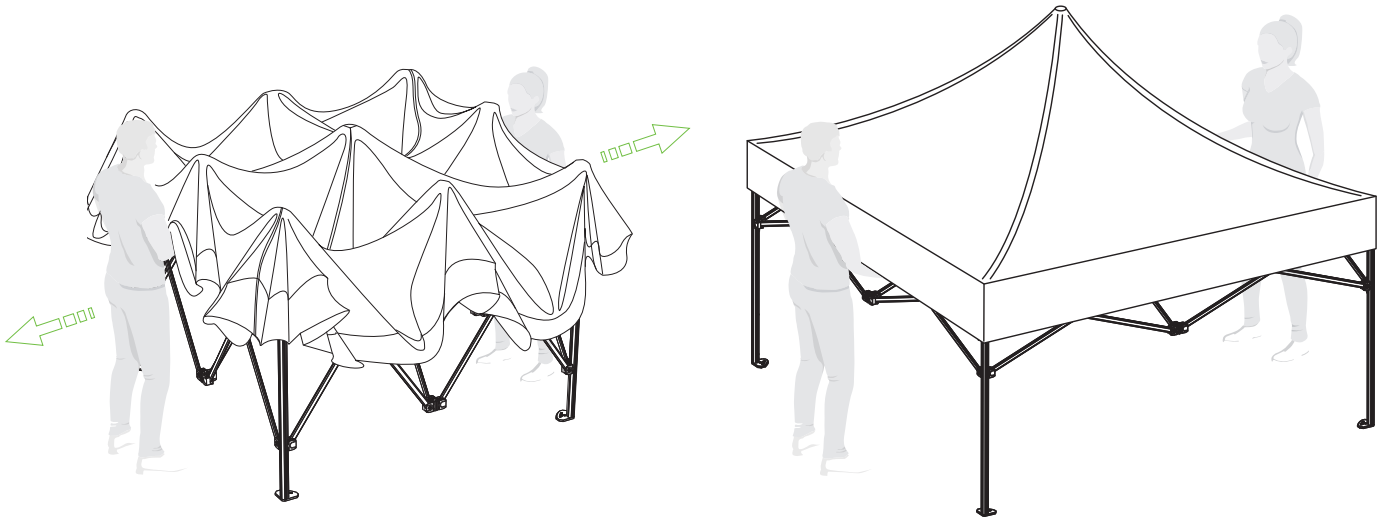
Fixing the roof gable to the protection cover: Push the recess/slot on the fabric sleeve through the tongue on the profile cover. Tighten the sleeve firmly using the velcro strap.



ASSEMBLY

Step 6:

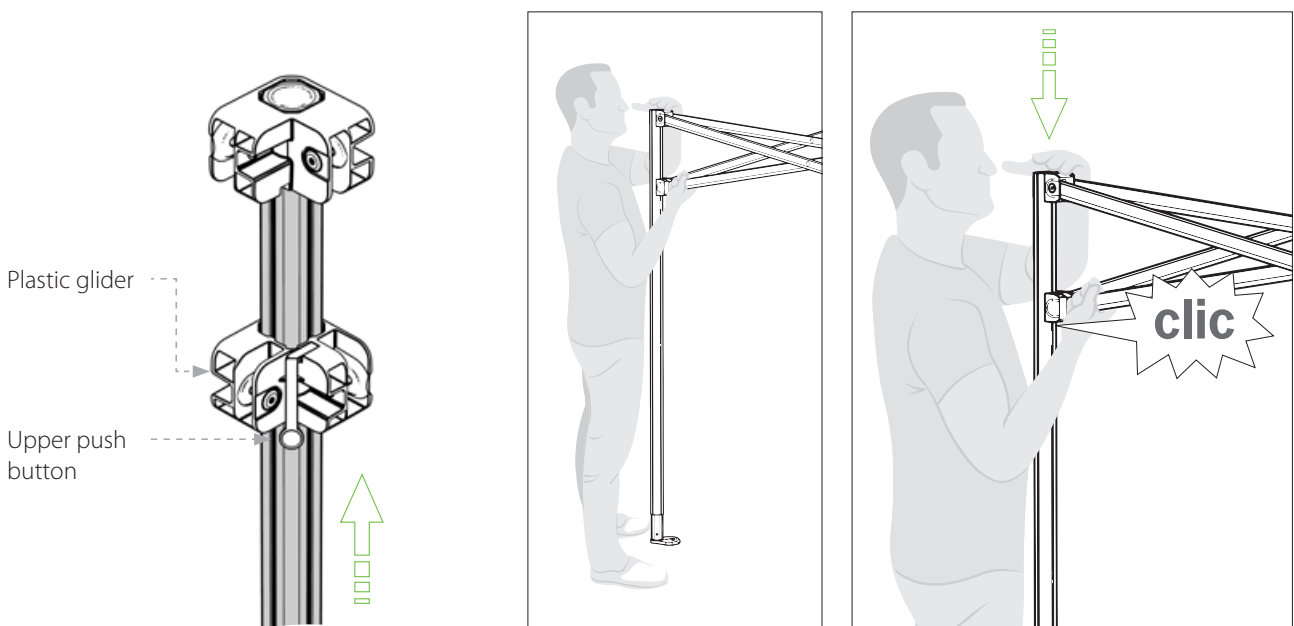
Grasp the frame again **below** the middle pivot point at the cross struts, lift slightly and open the frame by stepping backwards until the roof begins to stretch.



Step 7:

To engage the roof struts, the plastic gliders must be pushed out over the top push buttons of the corner poles. This applies equally to any centre poles if installed.

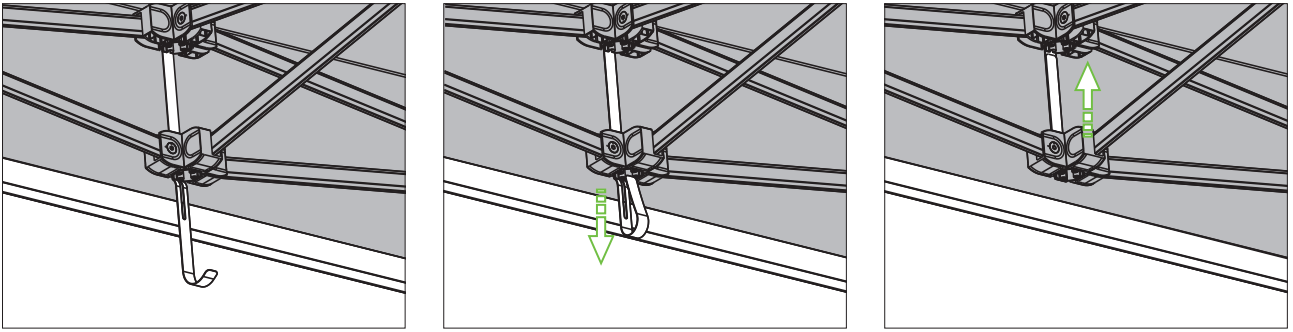
Tip: Grasp the lower roof strut and push it from above with your free hand.



ASSEMBLY

Step 8:

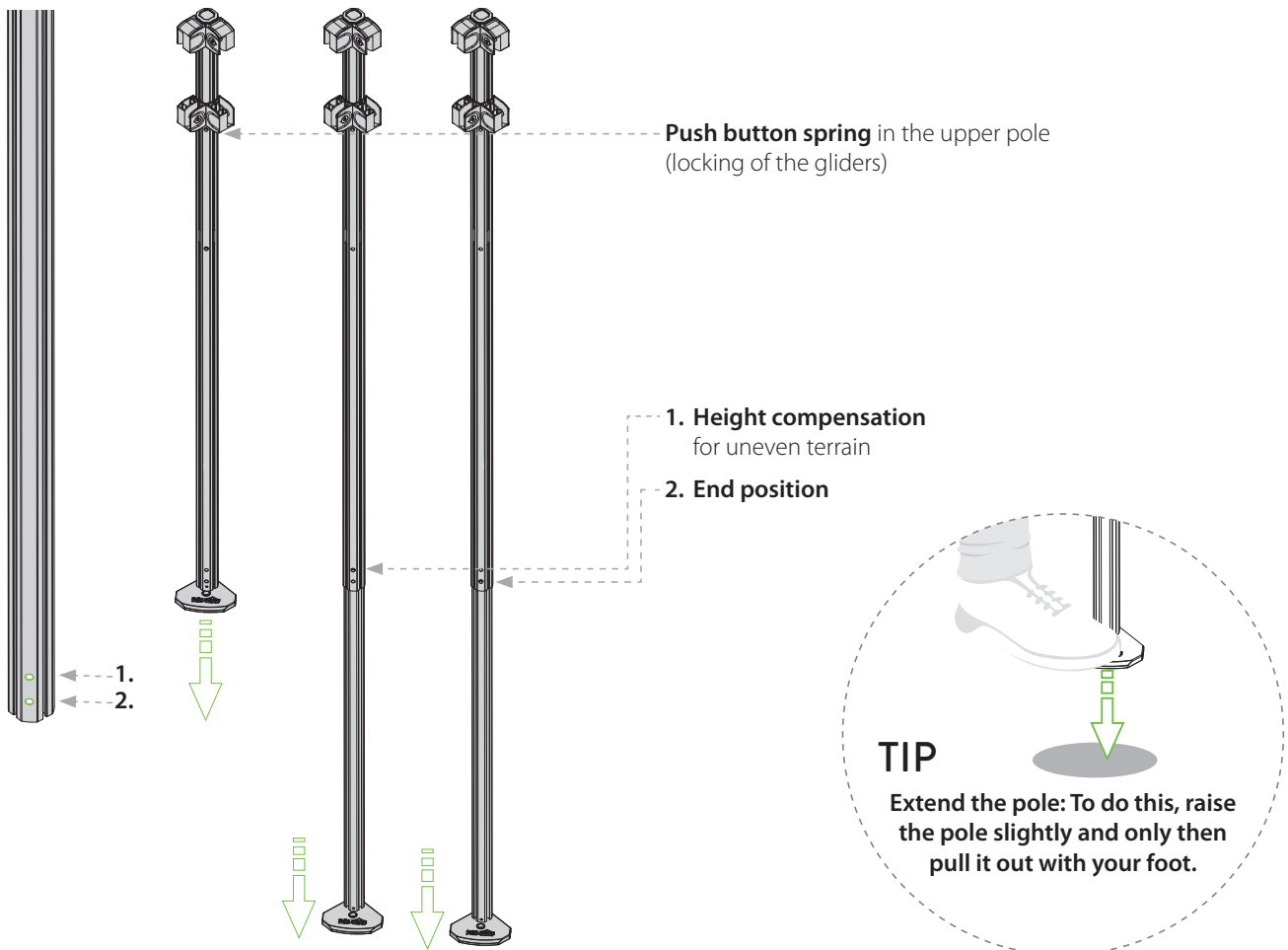
Easy tightening of the fabric roof by using the velcro straps.
To do this, pull the roof panel down a little first.



Step 9:

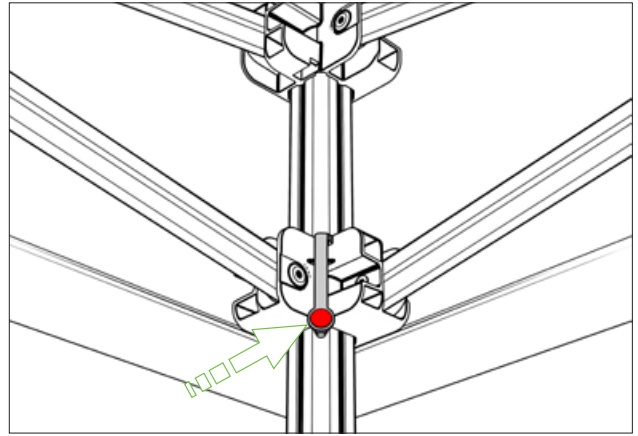
Now pull out all the poles to the end position (2).

Functional explanation of how to engage the poles



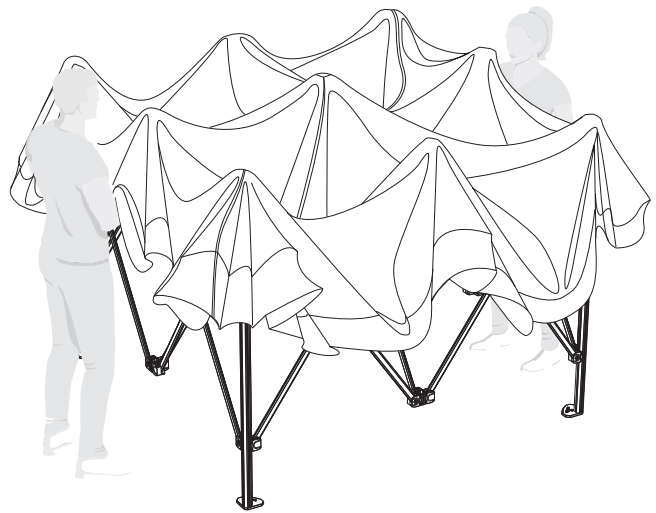
DISMANTLING

1. Loosen all velcro straps on the roof panel.
2. Press the red push button release below the plastic gliders on each pole. This unlocks the roof frame.
3. Release the push button and retract the poles.

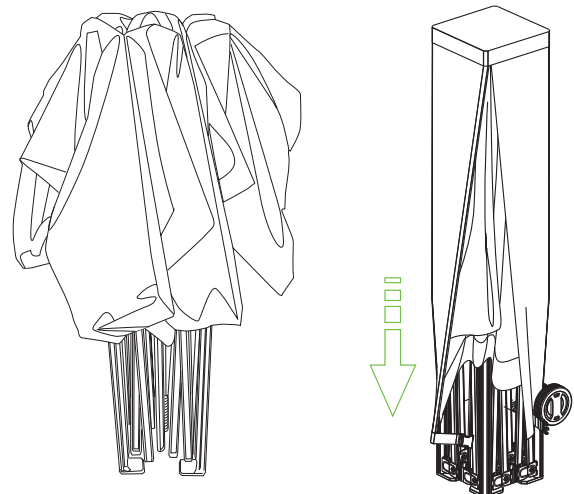


Push button release

4. Grasp the frame above the middle pivot point on the roof profiles, lift slightly and push together again by stepping forward but do not close completely to prevent jamming.
5. Push the frame together completely at the upper corners.



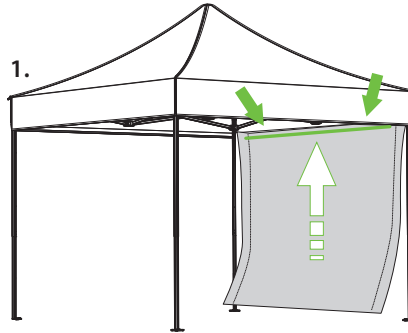
6. The frame can now be stowed in the mobile transport bag together with the roof, which should be smoothed out a little beforehand. To do this, open the bag completely and place it sideways over the frame with the fabric roof. Pull the bag down and slide the angle plate between the wheels under the plastic gliders of the frame. Then close the zip and the buckle. Finally the belt must be pulled tight to ensure safe transportation.



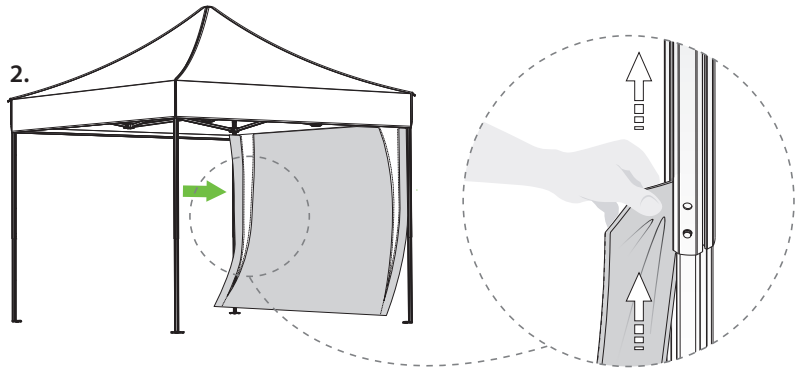
SIDE WALLS

Side wall

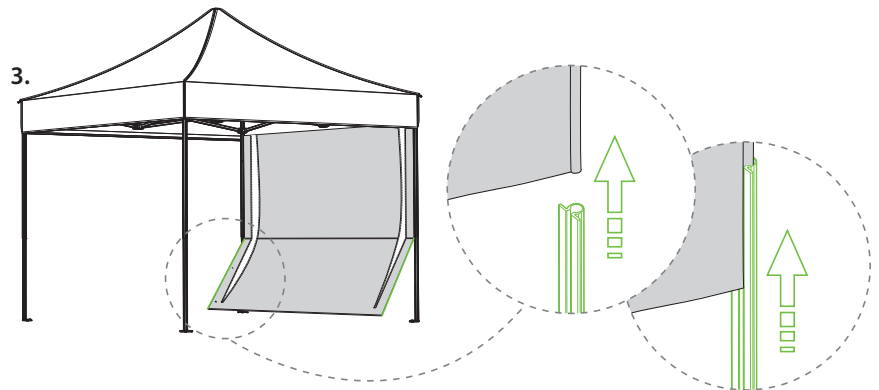
1. Secure the side panel horizontally with Velcro between the two posts on the inside roof surround.



2. Open zip fasteners completely. Feed the two outer, narrow lengths of fabric into the slot in the top posts and secure with Velcro on the inside roof surround at the top.



3. Push two **adapter rails** over the piping on each of the two outer fabric sections.

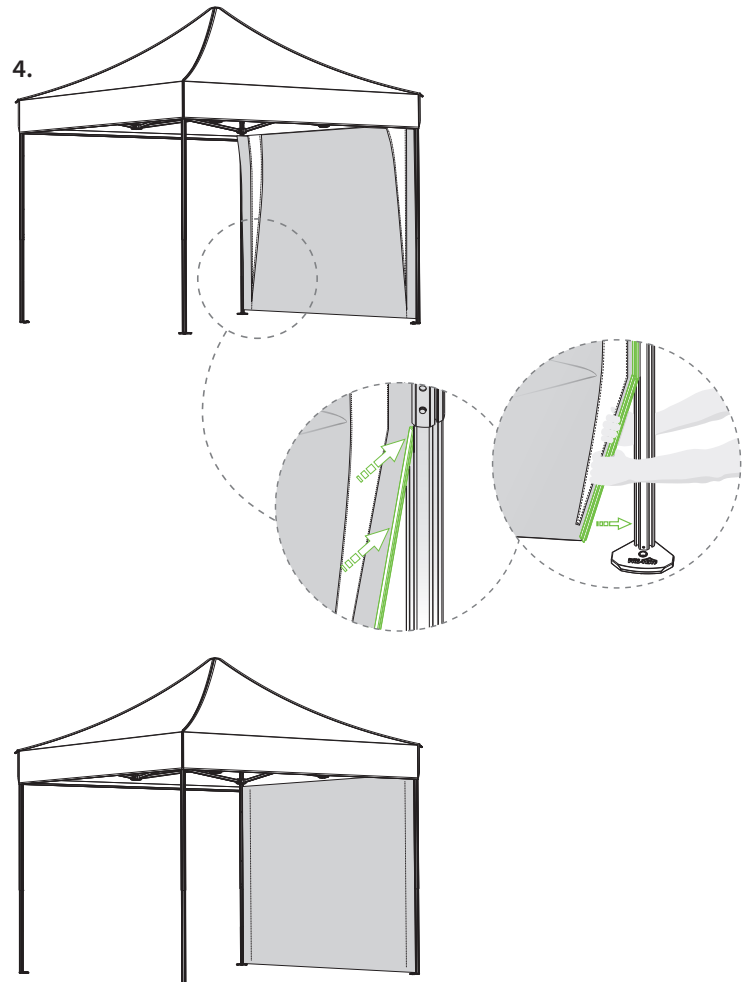


- a) **Notice:** Four adapter rails (a) are packed in each side panel bag in addition to the fabric side panel (2 for each lower post). These adapter rails extend the slots in the upper posts downwards. The piping sewn into the outside of the side panel is thus securely guided and held in the post from top to bottom.



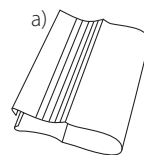
Video assembly
side wall

4. Then press the four rails into the slot in the lower posts.
Close the zip fasteners again afterwards



Removing the side wall

1. Open zip fasteners completely.
2. Hold the adapter rail with the gripper and then turn the gripper to the side until the adapter rail moves out of the groove.
3. Pull narrow length of fabric out of the slots in the post, secure it with Velcro to the roof surround at the top and close the zip fasteners again.
4. Release the Velcro strip on the top edge of the side panel across its entire width. Hold the top and bottom of the side panel with either hand for this purpose; the best method is for two people to pull it off the roof surround and fold it up immediately without allowing it to touch the ground.

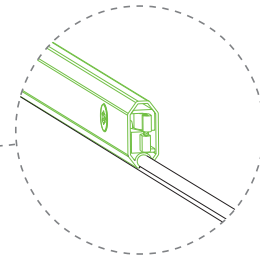
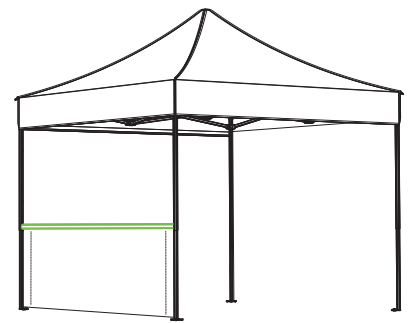
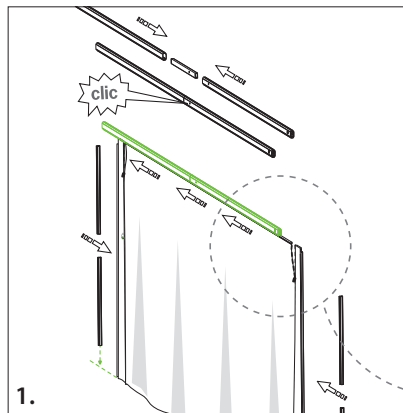


TIPP

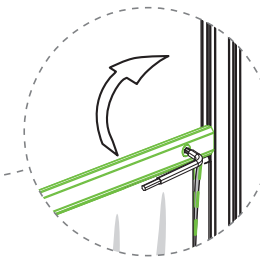
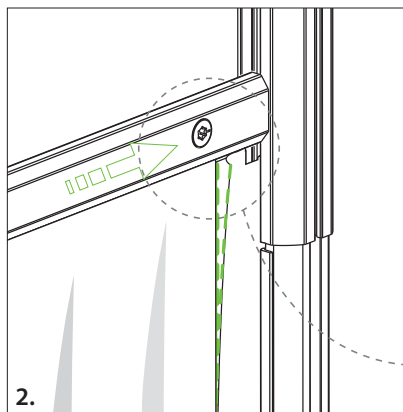
Pull the adapter frames slightly apart so that you can then fold the sidewall and store it in the carrying case. When you next come to use it, you will not need to slide in the four frames.

Cross-connectors

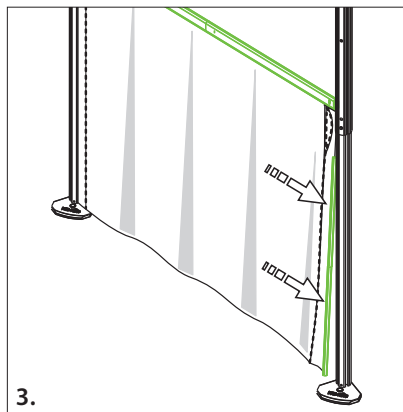
1. Pull the top edge with the piping of the half-height side wall into the cross-connector, align the connector at the height of the side wall between the two poles and lock it in their profile grooves. To do this, close the eccentric screws using a Torx key (approx. 1/2 turn).



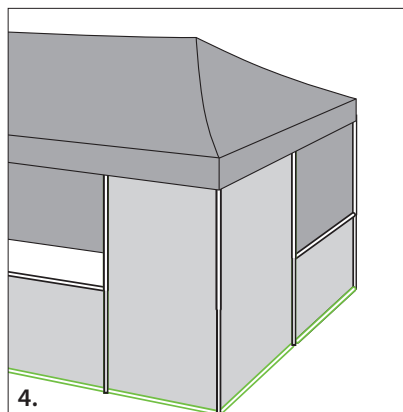
2. Open the zips until the two outer pieces of fabric can be comfortably pulled into the groove of the upper poles.



3. Pull in two adapter strips on each of the two outer fabric pieces and align them with **the lower edge**. Then press the four strips into the groove of the lower poles. Then close the zips again.



4. Optionally, a cross connector or telescopic connector can be inserted into the lower edge of the side wall. This provides additional transverse stability and the visually perfect finish.



TIP

The inside of the side wall is easily recognisable by the sewn-on label with the serial number.



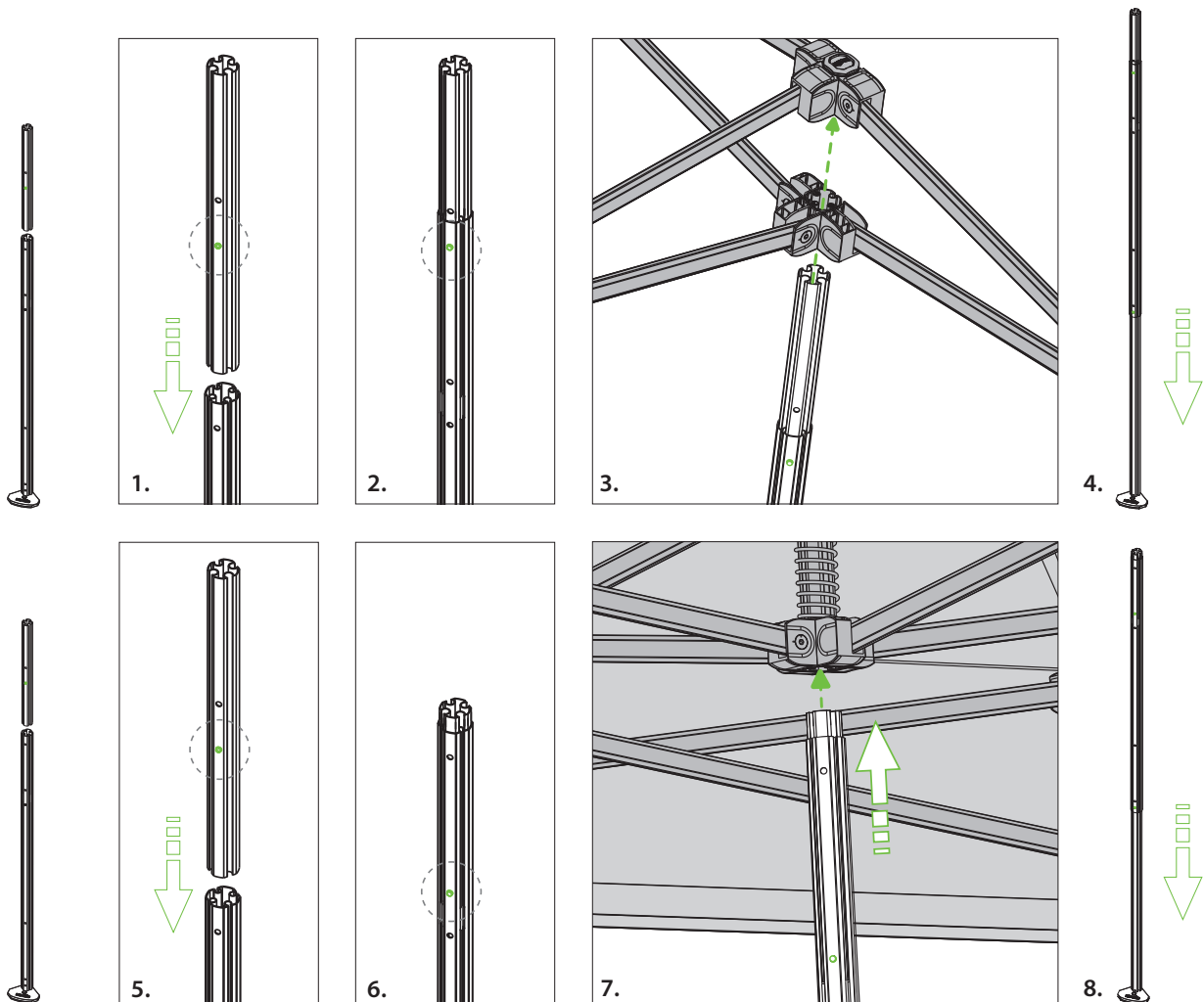
Video assembly
Inside cabins

Optional poles Pro-Tent MODUL 4000

Optional poles can be inserted at each connection node. These allow you to subdivide rooms in the module size of 1 m 1.5 m or also to assemble inside cabins. Attaching additional cross-connectors or side walls also significantly increases the stability of the entire frame.

Attach the optional stand pole to the outside of the frame (1-4): Push the adapter into the pole with the push button facing downwards (1) and snap it into the top hole of the pole (2). Insert the pole with the adapter through the lower 3-piece connector into the upper 3-piece connector (3). Then pull out the lower pole to the end position (4).

Attach the optional pole below the gable (5-8): Push the adapter into the pole with the push button facing downwards (5) and snap it into the second hole of the pole (6). Remove the profile cover on the 4-piece connector and place it in the storage compartment of the transport bag. Insert the pole with the adapter into the gable (7). Then pull out the lower pole to the end position (8).

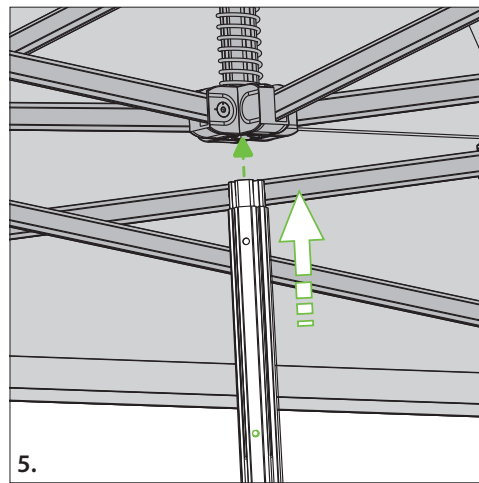
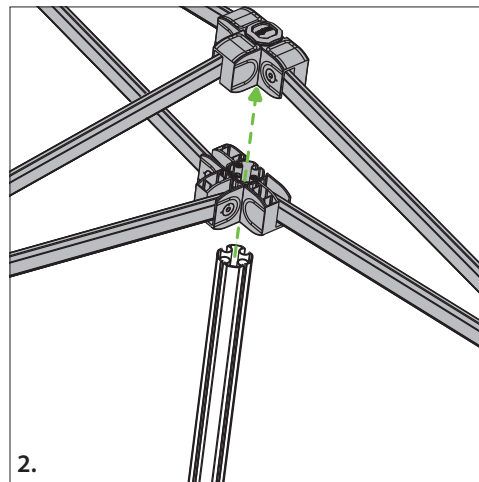
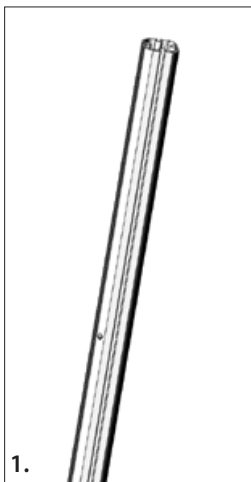


Optional poles Pro-Tent 5000

Optional poles can be inserted at each connection node. These allow you to subdivide rooms in the module size of 1.5 m or also to assemble inside cabins. Attaching additional cross-connectors or side walls also significantly increases the stability of the entire frame. In contrast to the optional Pro-Tent MODUL 4000 support pole, which only requires one adjustable adapter, the Pro-Tent 5000 has two separate optional support poles for the 3-piece connector and 4-piece connector.

Attach the optional stand pole to the outside of the frame (1-3): Insert the pole (1) through the lower 3-piece connector into the upper 3-piece connector (2). Then pull out the lower pole to the end position (3).

Attach the optional pole below the gable (4-6): Remove the profile cover on the 4-piece connector and place it in the storage compartment of the transport bag. Insert the pole (4) with the adapter into the gable (5). Then pull out the lower pole to the end position (6).



TIP
For inserting the optional poles, always raise the frame (end position).

SECURING IN WINDY CONDITIONS

Ensure that the tent is well secured according to the prevailing weather conditions.

It is sufficient to tension the tent using the loops on the roof in light to fresh winds (up to wind force 5). Use the tensioning set included in the scope of delivery to tension the tent. If the ground conditions do not allow you to use pegs, you can also use ProTent weight plates or ProTent water weights (see the next page).

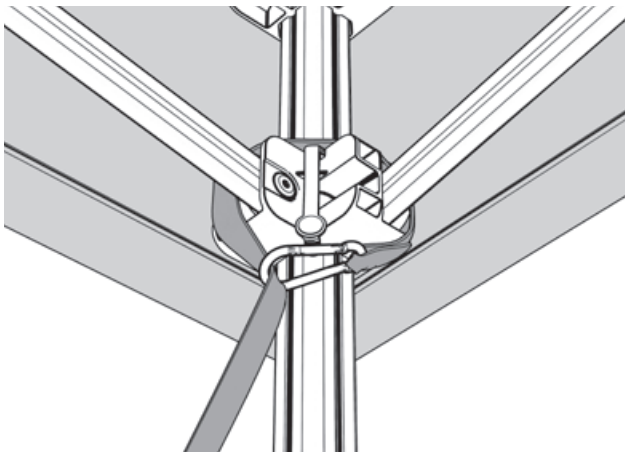
As a general rule, we recommend weighing down even tensioned tents with weight plates.



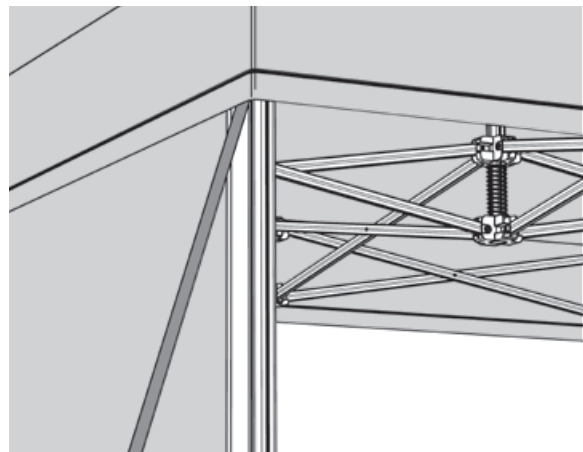
IMPORTANT: For best results, the tent should be tensioned over the corners at an angle of approximately 45°, so that the tensioning ropes are angled away from the tent.

CAUTION: Do not overtighten the tensioning ropes. Use a moderate amount of force to prevent them from sagging. In windy conditions, you will need to check the tension from time to time and adjust the pegs if necessary.

The tent should be stretched and tensioned over the folding structure in strong winds (force 6-7).



(Illustration shows Pro-Tent 5000)



Pass the tensioning rope around the connector on the poles, close the carabiner and tension it outwards as usual.

The tensioning ropes are routed outwards between the valance and the side wall when combined with side walls.

CAUTION: In the event of a storm, or if gusts of wind (force 8 or higher) are expected, the tent must be taken down.

SECURING IN WINDY CONDITIONS

Hexagonal weight plate 12.5 kg

The weight plate is completely inside the folding tent and can be stacked up to 6 layers (up to 75kg per pole). The feet of the poles are fixed to the bottom weight plate with ball locking pins.



Water weight 50 litres

The water weights are a useful alternative if pegging is not possible or if you want to secure your folding tent with additional weight (50 kg per pole). The tent is secured using the tensioning set included in the scope of delivery. An optional quick tensioning kit is available to make handling even easier - see illustration.



