

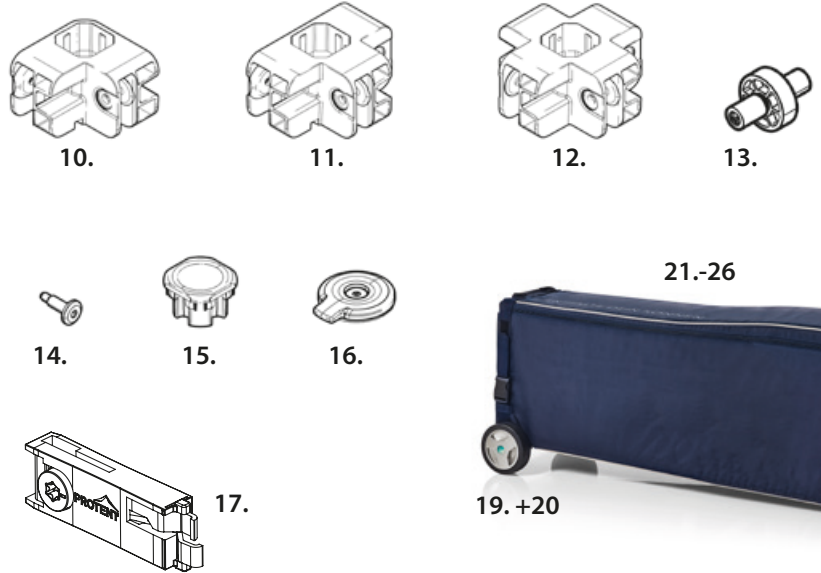
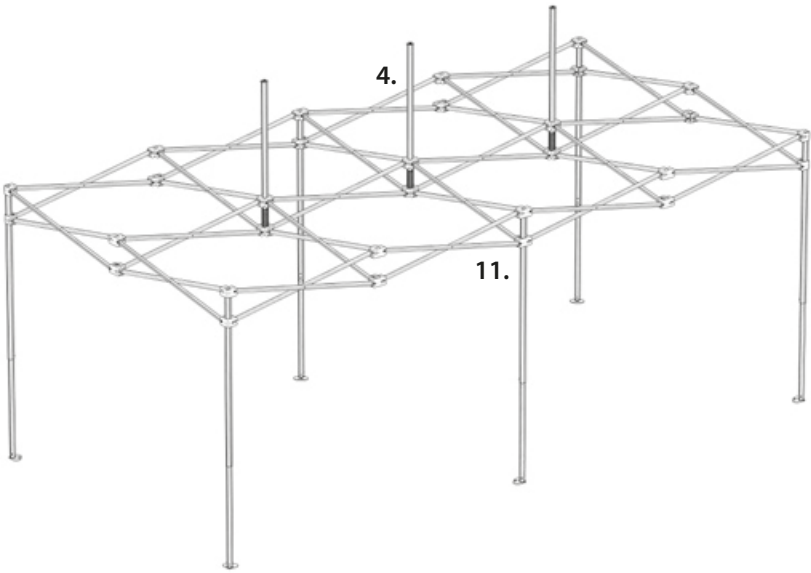
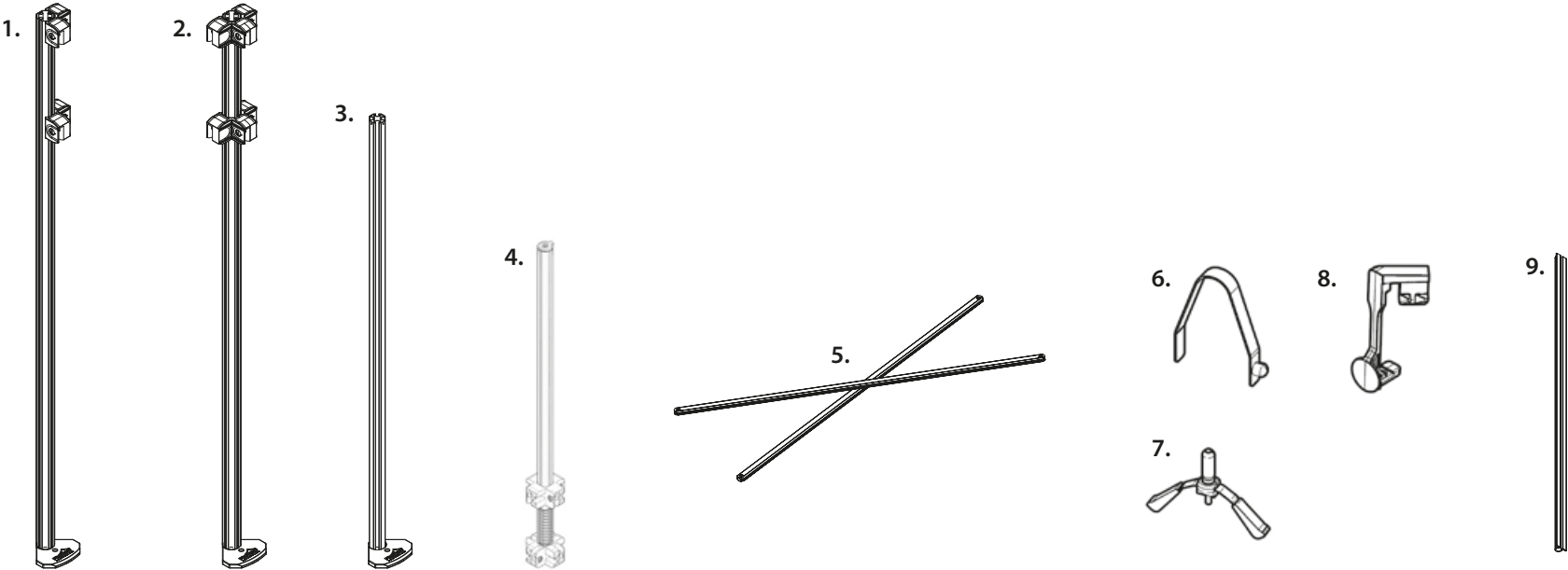


SPARE PARTS PRO-TENT 5000

valid from 01.01.2022



PRO-TENT 5000 - SPARE PARTS



PRO-TENT 5000 – SPARE PARTS

Pos.	Article No.	Description	Price in CHF
1	5.806012	Corner pole, complete (outer profile with 2-way connectors and inner profile incl. foot) for 3 x 3 m, 4.5 x 3 m und 6 x 3 m	122.–
	5.806013	Corner pole, complete (outer profile with 2-way connectors and inner profile incl. foot) for 4 x 4 m, 6 x 4 m und 8 x 4 m	143.–
2	5.806022	Middle pole, complete (outer profile with 3-way connectors and inner profile incl. foot), for 6 x 3 m	137.–
	5.806023	Middle pole, complete (outer profile with 3-way connectors and inner profile incl. foot), for 8 x 4 m	157.–
3	5.806030	Inner profile, complete (with foot), for 3 x 3 m, 4.5 x 3 m and 6 x 3 m	73.–
	5.806031	Inner profile, complete (with foot), for 4 x 4 m, 6 x 4 m and 8 x 4 m	76.–
4	5.806441	Gable, complete (inner and outer profile, 4-way connectors, tension spring and outer cover with/without lip, for 3 x 3 m, 4.5 x 3 m and 6 x 3 m)	123.–
	5.806442	Gable, complete (inner and outer profile, 4-way connectors, tension spring and outer cover with/without lip, for 4 x 4 m, 6 x 4 m and 8 x 4 m)	137.–
5	5.806620	Roof profile one assembled pair , for 3 x 3 m, 4.5 x 3 m and 6 x 3 m	40.–
	5.806621	Roof profile one assembled pair , for 4 x 4 m, 6 x 4 m and 8 x 4 m	55.–
6	5.809005	Metal V-spring for outer profile	2.90
7	5.809006	POM spring small with red point for inner profile	2.90
8	5.809003	Release for Push-V-Spring for slider, red	0.60
9	5.806015	Adapter rail for sidewall , set of 4 pcs for 3 x 3 m, 4.5 x 3 m and 6 x 3 m	16.50
	5.806016	Adapter rail for sidewall , set of 4 pcs for 4 x 4, 6 x 4 and 8 x 4 m	13.20
10	5.806400	2-way connector for corner pole	14.60
11	5.806410	3-way connector for connecting three roof profiles, also used as connector/slider for the center pole	21.–
12	5.806430	4-way connector/slider for gable rod	22.–

PRO-TENT 5000 – SPARE PARTS

Pos.	Article No.	Description	Price in CHF
13	5.806615K	Fitting kit for roof profile with 8 mm washer	3.80
14	5.806520	Screw M6 to connector for fixation of roof profiles	0.60
15	5.807010	Profile cover , without lip	1.80
16	5.807020	Profile cover , with lip for gable	1.40
17	4.715000.03	Eccentric tension	7.50
18	5.102000.03	Caddy plate for transport bag	48.–
19	4.102000.04	Wheel 15 cm , black, for transport bag	4.40
20	4.102000.05	Wheel cover with steel bolt for transport bag	6.30
21	5.802014	Transport bag, mobile , for frame 3 x 3 m, excl. pegs and cordes, excl. wheels	193.–
22	5.803014	Transport bag, mobile , for frame 4.5 x 3 m, excl. pegs and cordes, excl. wheels	210.–
23	5.804014	Transport bag, mobile , for frame 6 x 3 m, excl. pegs and cordes, excl. wheels	233.–
24	5.805014	Transport bag, mobile , for frame 4 x 4 m, excl. pegs and cordes, excl. wheels	215.–
25	5.806014	Transport bag, mobile , for frame 6 x 4 m, excl. pegs and cordes, excl. wheels	265.–
26	5.807014	Transport bag, mobile , for frame 8 x 4 m, excl. pegs and cordes, excl. wheels	280.–

Status: 01. January 2022, prices ex warehouse, excluding VAT, subject to change.

